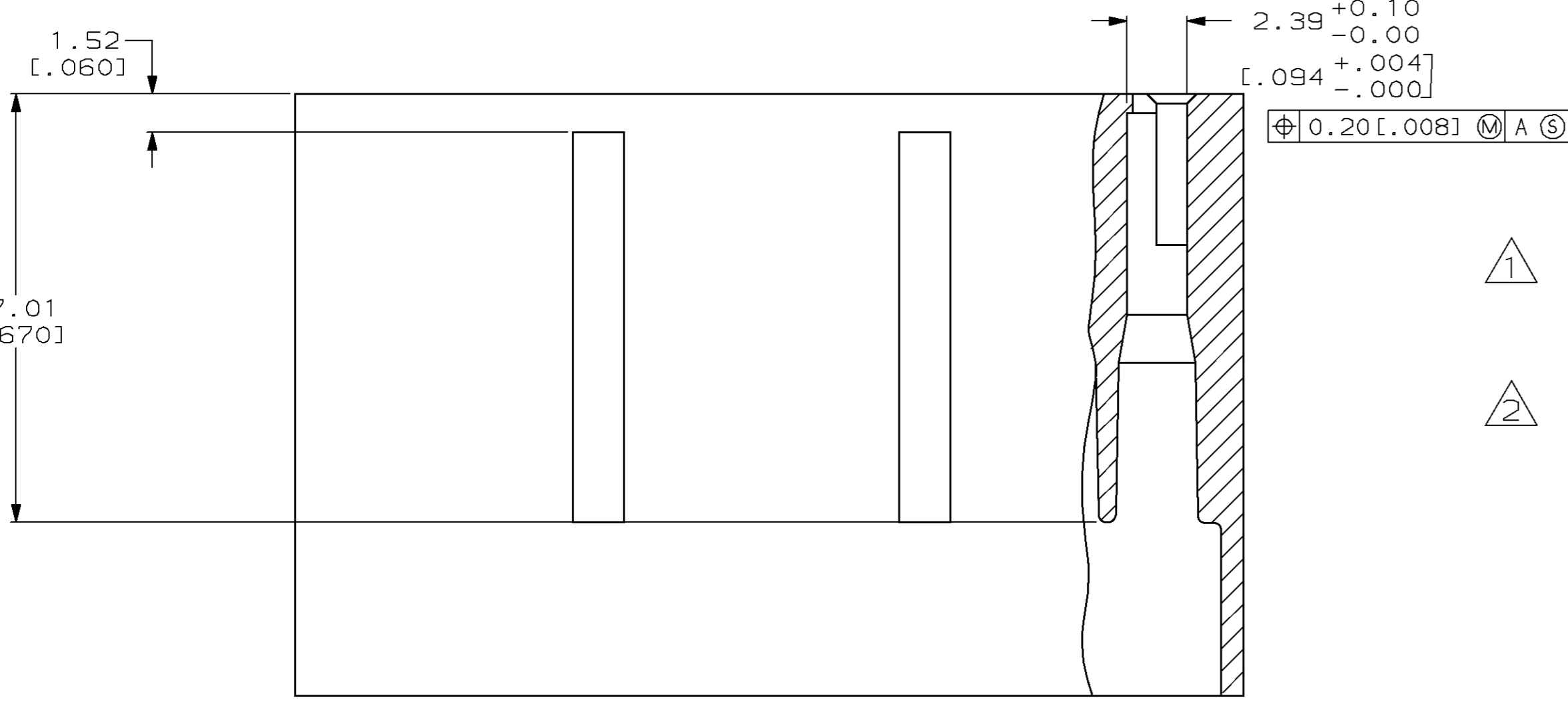
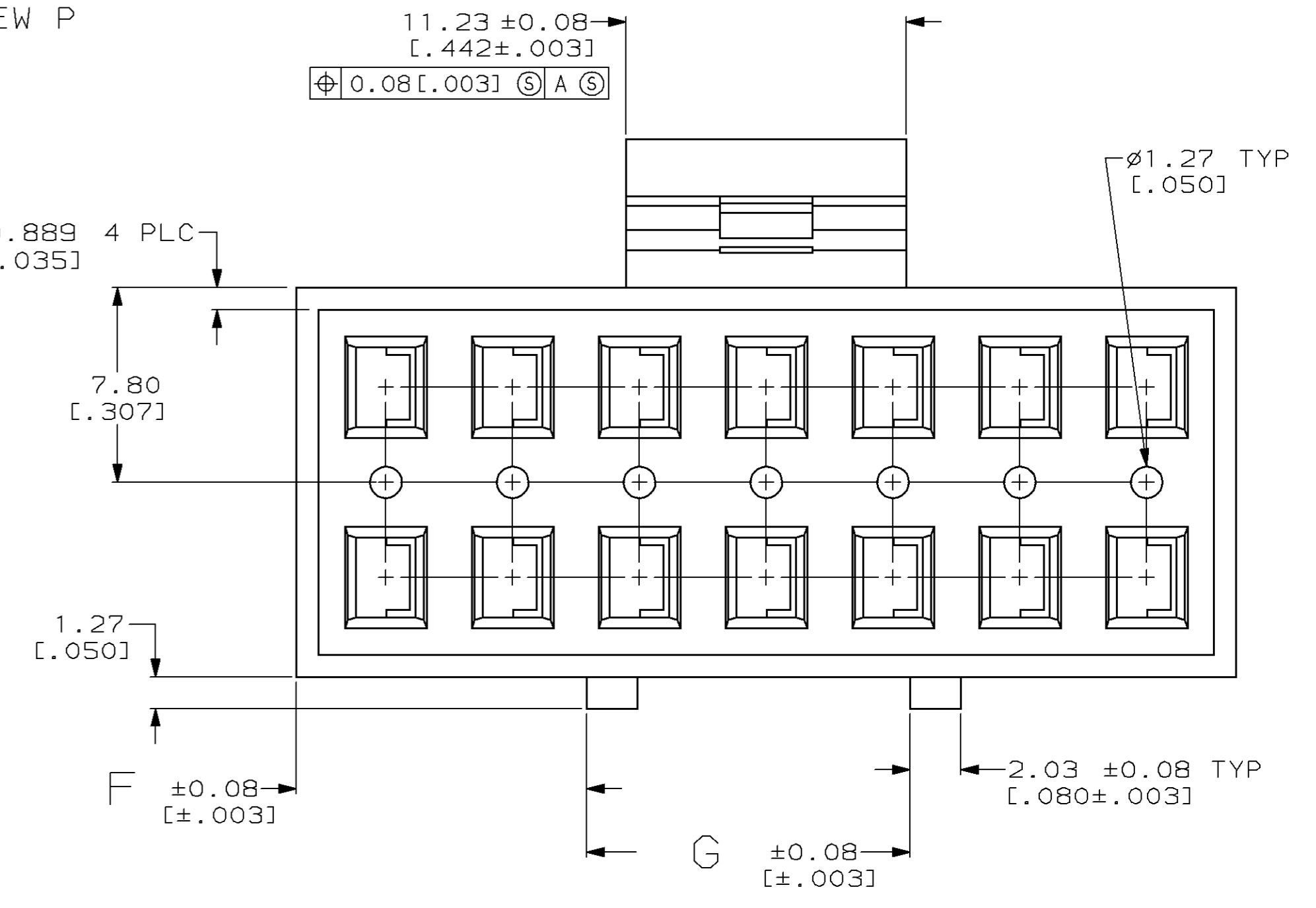
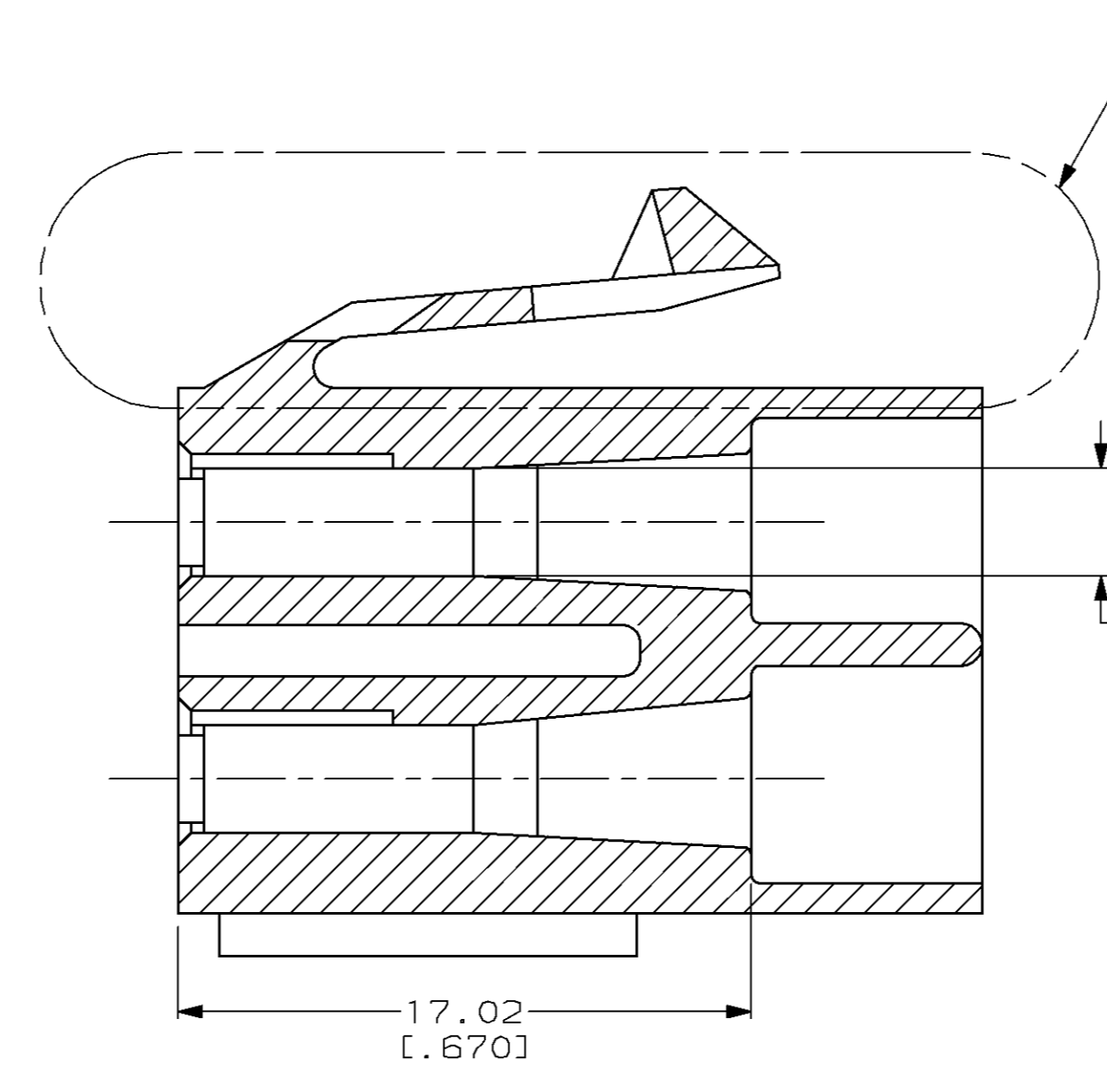
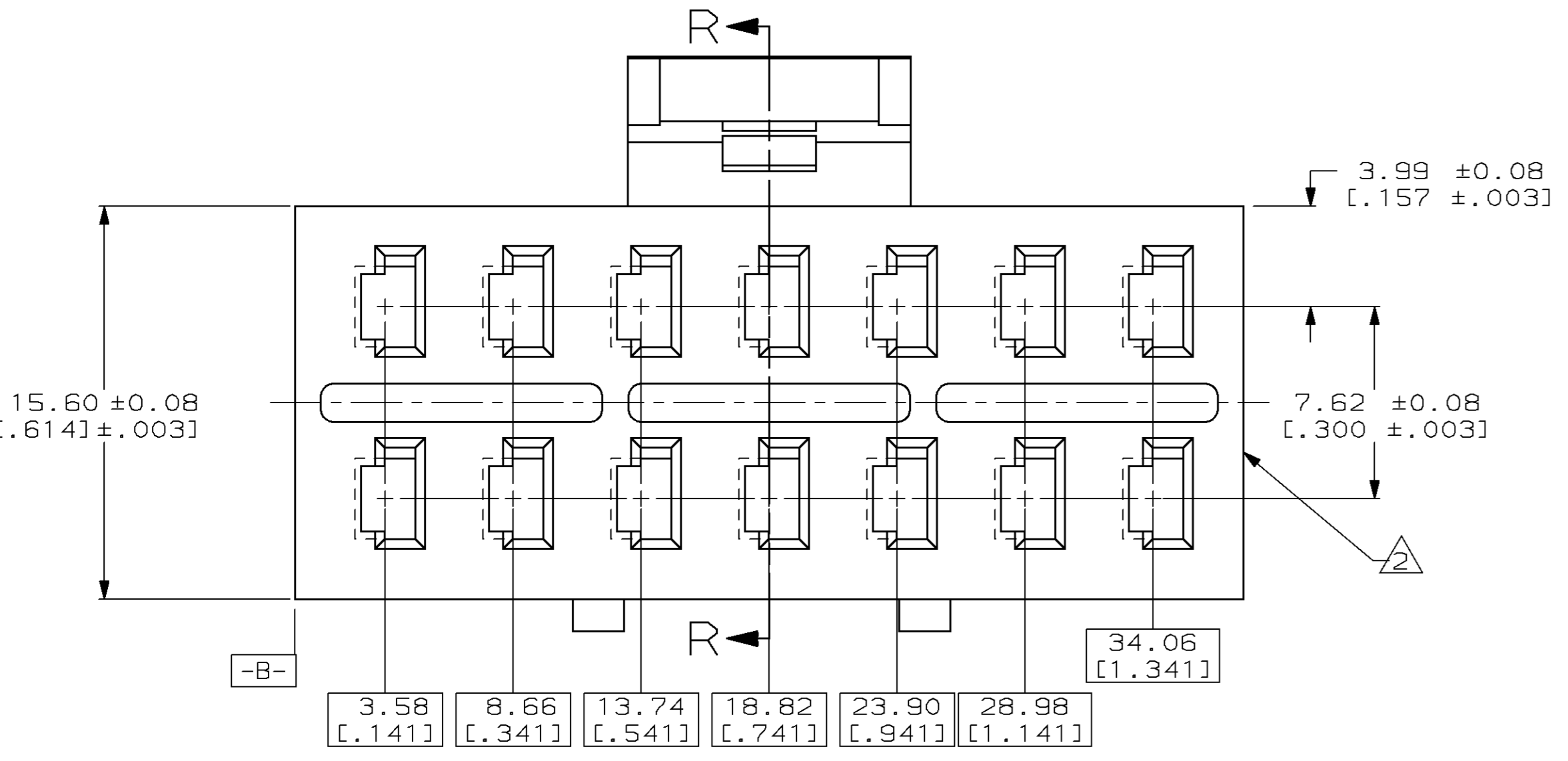
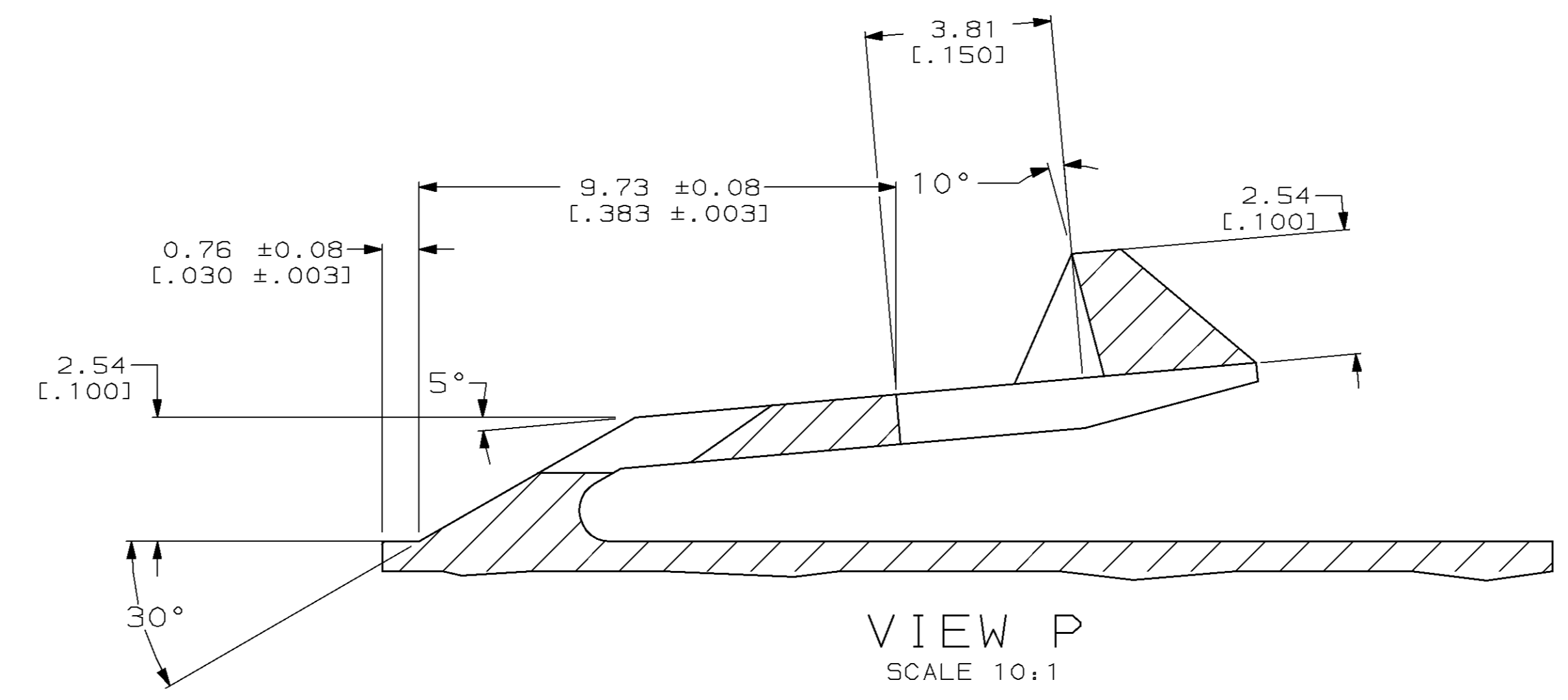
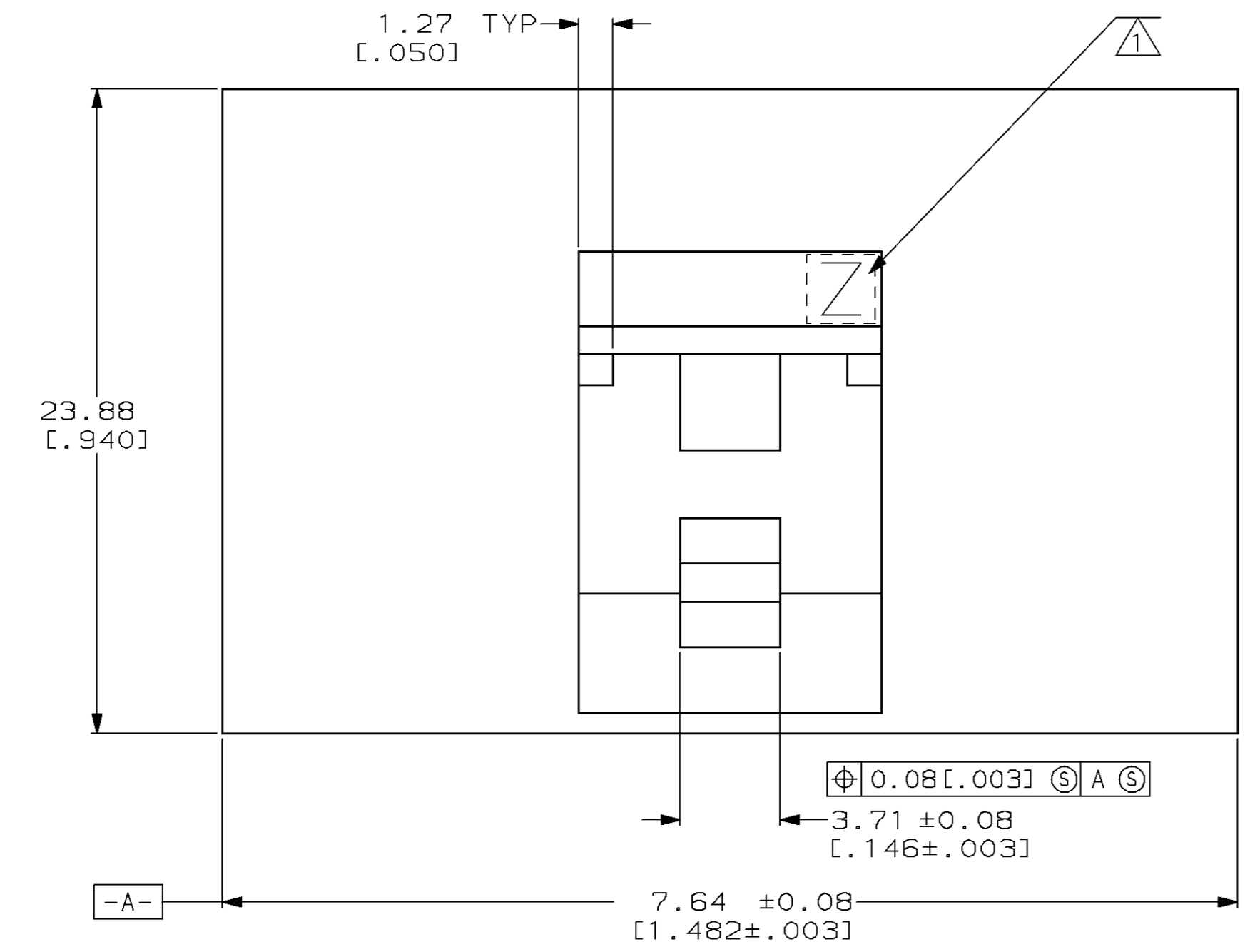


MOD	LOC	DIST	P	F	ZONE	LTR	REVISIONS	DATE	APPD
27	AD	39					REV&REDRAWN ECNAR2595 & REACTIVATE -2 REL #3063	8-10-88	-
							REV PER AR-2666	8-29-88	-
							REV LOC & DIST AD-4171	3-90	BF
							REV PER 0010-0489-94	4-8-94	JH
							REACT -3 PER 0010-1833-94	12-8-94	JH
							REV PER 0010-1840-94	12-8-94	JH
							REV PER 0310-0103-97	6-25-97	JH
							REV PER 0621-0191-98	3SEP98	JV



① HOUSING IDENT. LETTER, 2.36[.093] HIGH CHARS., RAISED 0.08-0.13[003-.005] HIGH IN APPROX. AREA SHOWN. SEE TABLE FOR LETTER.

② BLUSHING PERMISSIBLE IN THIS AREA.

HOUSING IDENT LETTER	G	F	NO OF POSN	PART NO
X	7.87 [1.310]	14.17 [1.558]	14	103367-3
Y	18.03 [1.710]	9.09 [1.358]	14	103367-2
Z	12.95 [1.510]	11.63 [1.458]	14	103367-1

DO NOT SCALE PRINT. UNLESS SPECIFIED DIMENSIONS IN mm [INCHES] TOLERANCES ON:		DR 8-14-89 J. GALLUCCI		PART NO	
3 PLC DEC ± 0.13[.005] ANGLES ± 0°-30'		CHK 8-21-89 C. OBERMAN		AMP INCORPORATED Harrisburg, Pa. 17105	
MATERIAL FLAME RETARDANT THERMOPLASTIC; COLOR-BLACK		APPD 8-21-89 MARIAN CLARK		NAME HOUSING, MOD I	
FINISH -		APPD 8-21-89 B. FLINCHBAUGH		SIZE D	
WEIGHT -		APPLICATION SPEC -		CAGE CODE 00779	
				DRAWING NO 103367	
				SCALE 5:1	
				SHEET 1 OF 1	

